



FITTING INSTRUCTIONS FOR FP0221BK FORK PROTECTORS
DUCATI HYPERMOTARD 950 2019-



THIS KIT CONTAINS THE ITEMS PICTURED AND LABELLED BELOW.
DO NOT PROCEED UNTIL YOU ARE SURE ALL PARTS ARE PRESENT.

Please note that the way the kit is packed does not necessarily represent the way of mounting to the bike

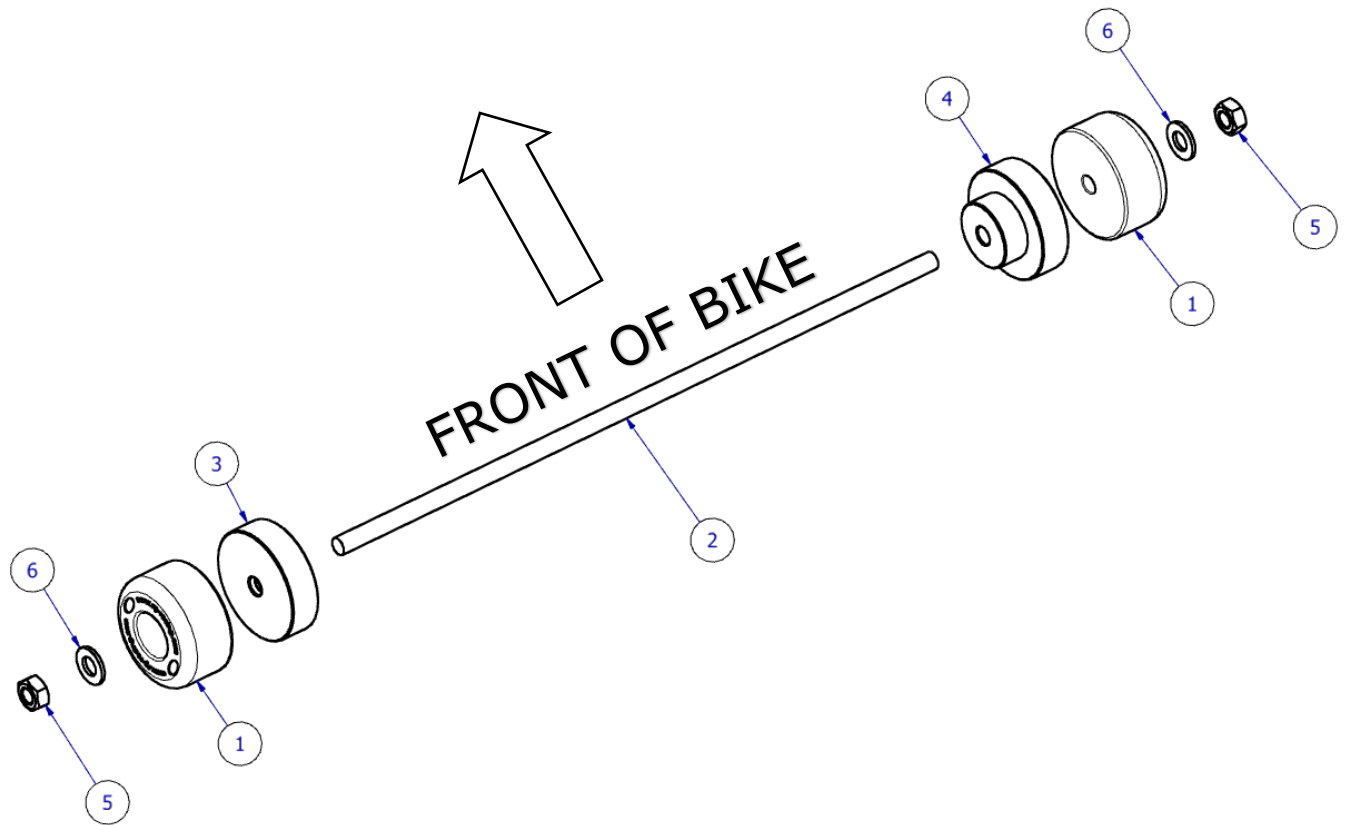
Please note that in cases where kits are packed with a plastic tube separating components on the spindle bar, this tube should be discarded.

THE PARTS SHOWN MAY BE REPRESENTATIVE ONLY (FOR CLARITY OF INSTRUCTIONS ONLY)

Digital copies of these instructions are available to download from www.rg-racing.com

TOOLS REQUIRED

- Socket set to include 2 x 13mm sockets
 - 2 x wrenches or similar



LEGEND

- Item 1 = M8 CRASH PROTECTOR (B0442) (2)
- Item 2 = SPINDLE BAR M8 x 320mm LONG (SB014)
- Item 3 = LHS SPACER (S1193)
- Item 4 = RHS SPACER (S1194)
- Item 5 = M8 NYLOC NUTS (2)
- Item 6 = M8 WASHER (2)



FITTING INSTRUCTIONS

- Fit one nut (item 5) and washer (item 6) on spindle-bar (item 2), engage the nut so the plastic insert of the nut is fully engaged, and the bar protrudes by 1 to 2 threads. It is recommended to use a small amount of superglue or Loctite to fix this nut as this will aid when tightening the opposite side later.
- Feed the spindle-bar with nut and washer through either crash protector (item 1) so the washer sits into the recess of the crash protector.
- Pass the spindle bar through the LHS metal spacer (item 3) with the flat face sitting against the crash protector.
- Pass this assembly through the front wheel spindle from the left-hand side so the OEM spindle nut fits into the LHS spacer (item 3) recess.
- Slide the RHS spacer (item 4) over the protruding end of the spindle on the RHS of the bike so the smaller diameter of the spacer locates into the internal diameter of the spindle.
- Place the remaining crash protector (item 1) over the exposed end of the spindle bar on the RHS.
- Fit the remaining washer (item 6) and Nyloc nut (item 5) from the kit onto the thread protruding from the crash protector.
- Tighten each nut on both sides evenly and ensure that the plastic insert of both nuts are fully engaged and protruding threads are equal on both sides.
- Do not overtighten – the Nyloc nuts will hold it tight.
- Check the fork protectors are secure and held firmly against the spacers and do not spin.
- After riding the bike, check the tightness of the nuts regularly (e.g. when cleaning the bike).

ISSUE 2 20/11/2019 (DM)

CONSUMER NOTICE

The catalogue description and any exhibition of samples are only broad indications of the Products and R&G may make design changes which do not diminish their performance or visual appeal and supplying them in such state shall conform to the order. The Buyer acknowledges no representation or warranty (other than as to title) has been given or will apply to the Products other than those in R&G's order or confirmation and the Buyer confirms it has chosen the Products as being of merchantable quality and suitable for its particular purposes. Where R&G fits the Products or undertakes other services it shall exercise reasonable skill and care and rectify any fault free of charge unless the workmanship has been disturbed. The Buyer is responsible for ensuring that the warranty on the motorcycle is not affected by the fitting of the Products. On return of any defective Products R&G shall at its option either supply a replacement or refund the purchase money but shall not be liable if the Products have been modified or used or maintained otherwise than in accordance with R&G's or manufacturer's instructions and good engineering practice or if the defect arises from accident or neglect. Other than identified above and subject to R&G not limiting its liability for causing death and personal injury, it shall not be liable for indirect or consequential loss and otherwise its liability shall be limited to the amounts paid by the Buyer for the Products or the fitting or service concerned. These terms do not affect the Buyer's statutory rights.

R&G RACING RETURNS POLICY (NON-FAULTY GOODS)

Returns must be pre-authorized (if not pre-authorized the return will be rejected). Goods may only be returned direct to us if they were purchased direct from us (customer must prove if necessary). Otherwise to be returned to original vendor. Goods must be in re-sellable condition, in the opinion of R&G Racing. All returns are subject to a 25% restocking and handling fee (25% of the gross value exc. P&P – at the prevailing price at time of purchase). The customer must pay any and all carriage charges. No returns of discontinued products, unless within 14 days of purchase. This policy does not affect your statutory rights and does not refer to faulty goods.

R&G Racing
Unit 1, Shelley's Lane, East Worldham, Alton, Hampshire, GU34 3AQ
Tel: +44 (0)1420 89007 www.rg-racing.com Email: info@rg-racing.com



**NOTICE DE MONTAGE POUR FP0221BK PROTECTIONS FOURCHE
DUCATI HYPERMOTARD 950 2019-**



Le kit contient les articles exposés ci-dessous, vérifier que toutes les pièces soient présentes avant de procéder au montage.

La façon dont le kit est emballé ne correspond pas forcément à la façon de monter les pièces sur la moto.

Notez que si les kits sont emballés avec un tube en plastique qui sépare les composants sur l'axe, ce tube doit être jeté.

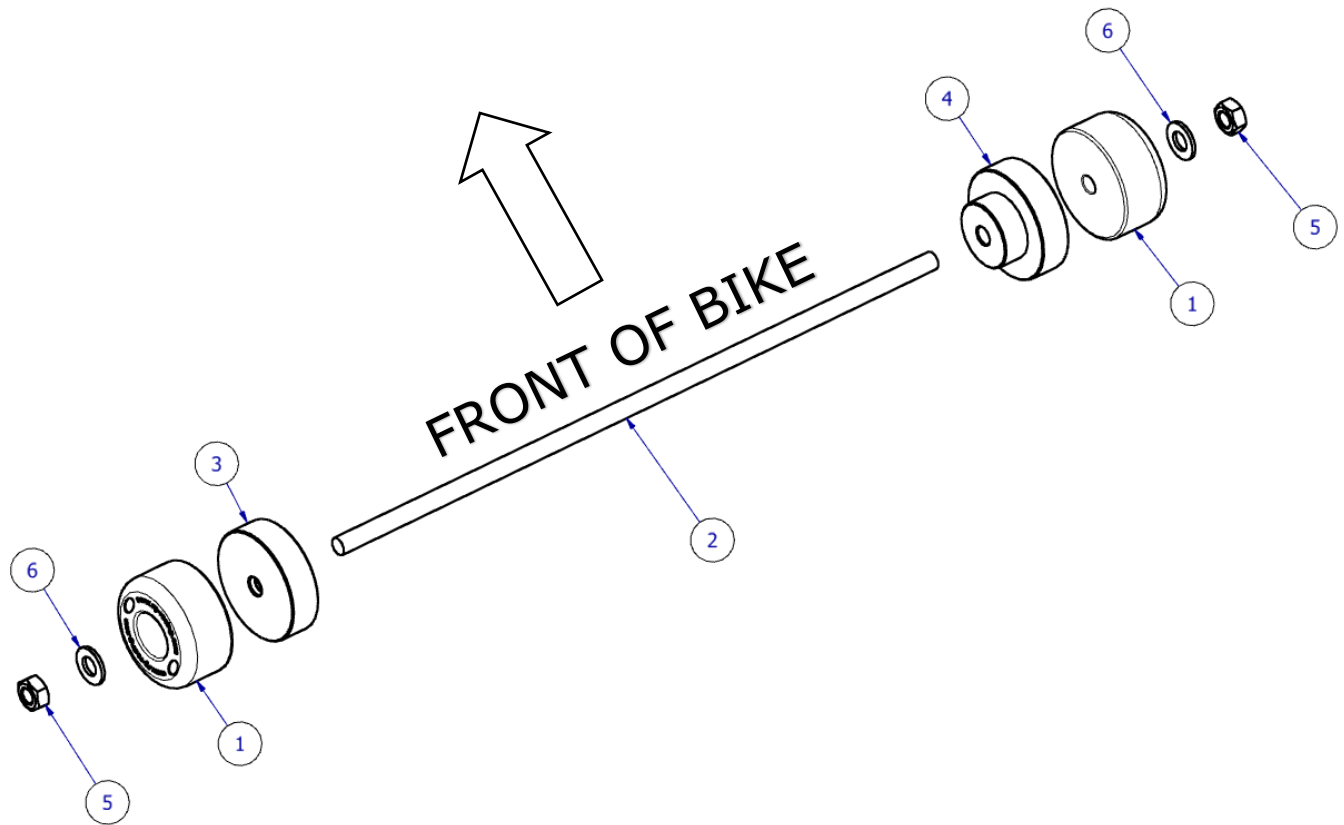
LES PARTIES PRESENTES PEUVENT ETRE UNIQUEMENT REPRESENTATIVES (POUR LA CLARTE DES INSTRUCTIONS UNIQUEMENT)

Notice disponible au téléchargement sur www.rg-racing.com

TOOLS REQUIRED

- Socket set to include 2 x 13mm sockets
 - 2 x wrenches or similar

R&G Racing
Unit 1, Shelley's Lane, East Worldham, Alton, Hampshire, GU34 3AQ
Tel: +44 (0)1420 89007 www.rg-racing.com Email: info@rg-racing.com



LÉGENDE

- Article 1 = M8 PROTECTION CRASH (B0442) (2)
- Article 2 = AXE M8 x 320mm DE LONG (SB014)
- Article 3 = ENTRETOISE GAUCHE (S1193)
- Article 4 = ENTRETOISE DROITE (S1194)
- Article 5 = M8 ÉCROUS (2)
- Article 6 = M8 RONDELLE (2)



NOTICE DE MONTAGE

- Montez un écrou (article 5) et une rondelle (article 6) sur l'axe (article 2), engagez l'écrou de sorte que l'insert en plastique de l'écrou soit complètement engagé et que l'axe dépasse de 1 à 2 filets. Il est recommandé d'utiliser une petite quantité de colle ou de Loctite pour fixer cet écrou, car cela facilitera le serrage ultérieur du côté opposé.
- Faites passer l'axe de moyeu avec écrou et rondelle à travers l'une des protections (article 1) de sorte que la rondelle se place dans le renforcement de la protection.
- Faites passer l'axe moyeu à travers l'entretoise en métal côté gauche (article 3) avec le diamètre le plus large contre la protection.
- Placer l'assemblage dans le moyeu de roue avant du côté gauche de façon à ce que l'écrou de moyeu d'origine se place dans le creux de l'entretoise gauche (article 3).
- Faites glisser l'entretoise côté droit (article 4) sur l'extrémité dépassant de l'axe du côté droit de la moto afin que le plus petit diamètre de l'entretoise se place dans le diamètre interne du moyeu.
- Placez la protection restante (article 1) sur l'extrémité de l'axe du côté droit.
- Montez la rondelle restante (article 6) et l'écrou (article 5) du kit sur le filetage dépassant de la protection crash.
- Serrez chaque écrou des deux côtés de manière uniforme et assurez-vous que l'insert en plastique des deux écrous soit complètement engagé et identique des deux côtés.
- Ne serrez pas trop - les écrous fixent l'ensemble.
- Vérifiez que les protections fourche soient bien fixés et maintenues fermement contre les entretoises et ne tournent pas.
- Après avoir fait de la moto, vérifiez régulièrement le serrage des écrous (par exemple lors du nettoyage de la moto).

ISSUE 2 20/11/2019 (DM)

CONSUMER NOTICE

The catalogue description and any exhibition of samples are only broad indications of the Products and R&G may make design changes which do not diminish their performance or visual appeal and supplying them in such state shall conform to the order. The Buyer acknowledges no representation or warranty (other than as to title) has been given or will apply to the Products other than those in R&G's order or confirmation and the Buyer confirms it has chosen the Products as being of merchantable quality and suitable for its particular purposes. Where R&G fits the Products or undertakes other services it shall exercise reasonable skill and care and rectify any fault free of charge unless the workmanship has been disturbed. The Buyer is responsible for ensuring that the warranty on the motorcycle is not affected by the fitting of the Products. On return of any defective Products R&G shall at its option either supply a replacement or refund the purchase money but shall not be liable if the Products have been modified or used or maintained otherwise than in accordance with R&G's or manufacturer's instructions and good engineering practice or if the defect arises from accident or neglect. Other than identified above and subject to R&G not limiting its liability for causing death and personal injury, it shall not be liable for indirect or consequential loss and otherwise its liability shall be limited to the amounts paid by the Buyer for the Products or the fitting or service concerned. These terms do not affect the Buyer's statutory rights.

R&G RACING RETURNS POLICY (NON-FAULTY GOODS)

Returns must be pre-authorized (if not pre-authorized the return will be rejected). Goods may only be returned direct to us if they were purchased direct from us (customer must prove if necessary). Otherwise to be returned to original vendor. Goods must be in re-sellable condition, in the opinion of R&G Racing. All returns are subject to a 25% restocking and handling fee (25% of the gross value exc. P&P - at the prevailing price at time of purchase). The customer must pay any and all carriage charges. No returns of discontinued products, unless within 14 days of purchase. This policy does not affect your statutory rights and does not refer to faulty goods.

R&G Racing
Unit 1, Shelley's Lane, East Worldham, Alton, Hampshire, GU34 3AQ
Tel: +44 (0)1420 89007 www.rg-racing.com Email: info@rg-racing.com



**MONTAGEANLEITUNG FÜR FP0221BK GABELPROTEKTOREN
DUCATI HYPERMOTARD 950 2019-**



ALLE TEILE SIND UNTEN ABGEBILDET UND GEKENNZEICHNET. BEVOR SIE MIT DER MONTAGE BEGINNEN, ÜBERPRÜFEN SIE, DASS ALLE TEILE VORHANDEN SIND.

Hinweis: Die Verpackung der Teile stellt nicht die Reihenfolge der Montage dar.

Hinweis für Kits mit einem Plastikröhrchen an der Verbindungsstange (um die Komponenten zu trennen) – *dieses Plastikröhrchen wird nicht für den Einbau benötigt- bitte wegschmeißen!*

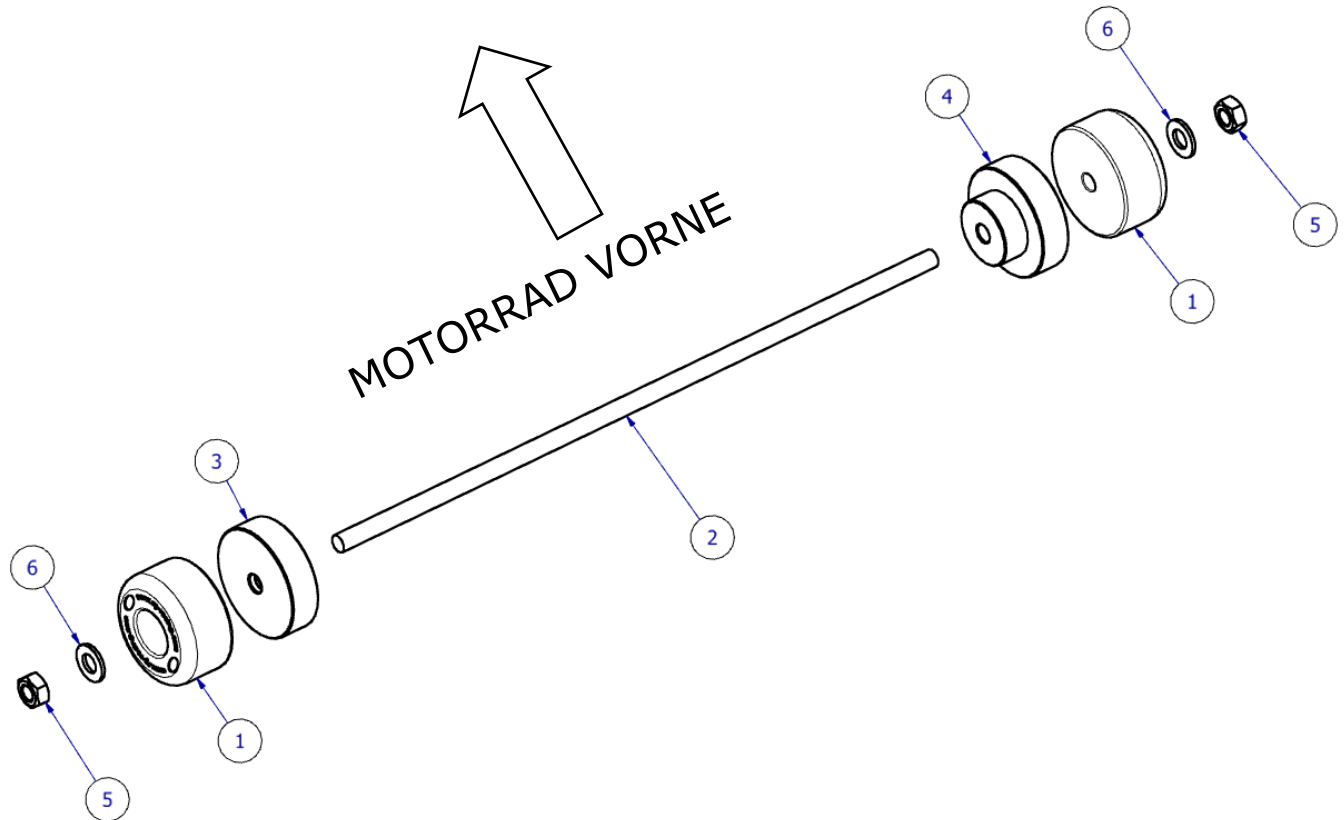
DIE UNTEN ABGEBILDETEN TEILE DIENEN LEDIGLICH ZUR ERKLÄRUNG

Eine digitale Version dieser Montageanleitung kann auf folgender Seite heruntergeladen werden: www.rg-racing.com

SIE BENÖTIGEN FOLGENDES WERKZEUG

- Satz Steckschlüssel mit 2 x 13mm Steckschlüssel
 - 2 x Schraubenschlüssel o.Ä.

R&G Racing
Unit 1, Shelley's Lane, East Worldham, Alton, Hampshire, GU34 3AQ
Tel: +44 (0)1420 89007 www.rg-racing.com Email: info@rg-racing.com



LIEFERUMFANG

- Artikel 1 = M8 STURZPADS (B0442) (2)
- Artikel 2 = VERBINDNGSSTANGE M8 x 320mm LÄNGE (SB014)
- Artikel 3 = DISTANZHALTER LINKE SEITE (S1193)
- Artikel 4 = DISTANZHALTER RECHTE SEITE (S1194)
- Artikel 5 = M8 SELBSTSICHERNDE MUTTER (2)
- Artikel 6 = M8 UNTERLEGSCHLEIBEN (2)



MONTAGEANLEITUNG

- Montieren Sie eine Mutter (Artikel 5) und eine Unterlegscheibe (Artikel 6) an der Verbindungsstange (Artikel 2). Die Mutter so anbringen, dass der Kunststoffeinsatz der Mutter komplett eingerastet ist und die Verbindungsstange mit 1 bis 2 Gewinden hervorsteht. Die Verwendung von etwas Sekundenkleber oder Loctite wird empfohlen, um die Mutter zu fixieren bzw. das Festziehen an der anderen Seite später zu vereinfachen.
- Die Verbindungsstange mit der Mutter und Unterlegscheibe durch ein Sturzpad (Artikel 1) führen, sodass die Unterlegscheibe in die Vertiefung des Sturzpads passt.
- Die Verbindungsstange durch den Metall-Distanzhalter für die linke Seite (Artikel 3) führen, die flache Fläche am Sturzpad anliegend.
- Von der linken Seite beginnend, die Einheit durch die Vorderachse schieben, sodass die original Achsnabe in die Vertiefung des Distanzhalters (Artikel 3) passt.
- Schieben Sie den Distanzhalter für die rechte Seite (Artikel 4) über das hervorstehende Ende der Verbindungsstange an der rechten Seite – der kleinere Durchmesser des Distanzhalters passt in den inneren Durchmesser der Radachse.
- Das übrige Sturzpad (Artikel 1) am hervorstehenden Ende der Radachse an der rechten Seite anbringen.
- Montieren Sie die übrige Unterlegscheibe (Artikel 6) und selbstsichernde Mutter (Artikel 5) vom Kit an dem Gewinde, welches am Sturzpad hervorsteht.
- Die Muttern an beiden Seiten gleichmäßig festziehen und darauf achten, dass die Kunststoffeinsätze bei beiden Muttern komplett und gleichmäßig eingerastet sind.
- Nicht überziehen – die selbstsichernden Muttern halten das fest!
- Überprüfen Sie, dass die Gabelprotektoren sicher an den Distanzhaltern befestigt sind und sich nicht drehen.
- Überprüfen Sie regelmäßig die Festigkeit der Muttern (z.B. beim Putzen, nachdem Sie mit Motorrad gefahren sind).

AUSGABE 2 20/11/2019 (DM)

CONSUMER NOTICE

The catalogue description and any exhibition of samples are only broad indications of the Products and R&G may make design changes which do not diminish their performance or visual appeal and supplying them in such state shall conform to the order. The Buyer acknowledges no representation or warranty (other than as to title) has been given or will apply to the Products other than those in R&G's order or confirmation and the Buyer confirms it has chosen the Products as being of merchantable quality and suitable for its particular purposes. Where R&G fits the Products or undertakes other services it shall exercise reasonable skill and care and rectify any fault free of charge unless the workmanship has been disturbed. The Buyer is responsible for ensuring that the warranty on the motorcycle is not affected by the fitting of the Products. On return of any defective Products R&G shall at its option either supply a replacement or refund the purchase money but shall not be liable if the Products have been modified or used or maintained otherwise than in accordance with R&G's or manufacturer's instructions and good engineering practice or if the defect arises from accident or neglect. Other than identified above and subject to R&G not limiting its liability for causing death and personal injury, it shall not be liable for indirect or consequential loss and otherwise its liability shall be limited to the amounts paid by the Buyer for the Products or the fitting or service concerned. These terms do not affect the Buyer's statutory rights.

R&G RACING RETURNS POLICY (NON-FAULTY GOODS)

Returns must be pre-authorized (if not pre-authorized the return will be rejected). Goods may only be returned direct to us if they were purchased direct from us (customer must prove if necessary). Otherwise to be returned to original vendor. Goods must be in re-sellable condition, in the opinion of R&G Racing. All returns are subject to a 25% restocking and handling fee (25% of the gross value exc. P&P – at the prevailing price at time of purchase). The customer must pay any and all carriage charges. No returns of discontinued products, unless within 14 days of purchase. This policy does not affect your statutory rights and does not refer to faulty goods.